

A BBBEE LEVEL 3
COMPANY



DYNA LINK

ELECTRONIC DYNAMOMETER

OPTIONAL:



FEATURES

- * Rugged Construction
- * Accuracy : 0.05% of capacity
- * All functions and units are clearly displayed on the backlit LCD display
- * Can weigh in the following units: kg, tonnes, pounds, Newton and kilo-newton
- * Infrared Remote control with these functions : ZERO, TARE, CLEAR, PEAK, ACCUMULATE, HOLD, Unit Change, Voltage Check and Power OFF.
- * 4 local mechanical keys : ON/OFF, ZERO, PEAK and Unit Change
- * Low Battery Warning
- * OPTIONAL- Remote Indicator With Printer

Max Capacity

- * 1T x 10kg
- * 2T x 20kg
- * 3T x 20kg
- * 5T x 40kg
- * 10T x 100kg
- * 20T x 200kg
- * 30T x 200kg
- * 50T x 400kg
- * 100T x 1000kg
- * 200T x 2000kg

Dimintions A

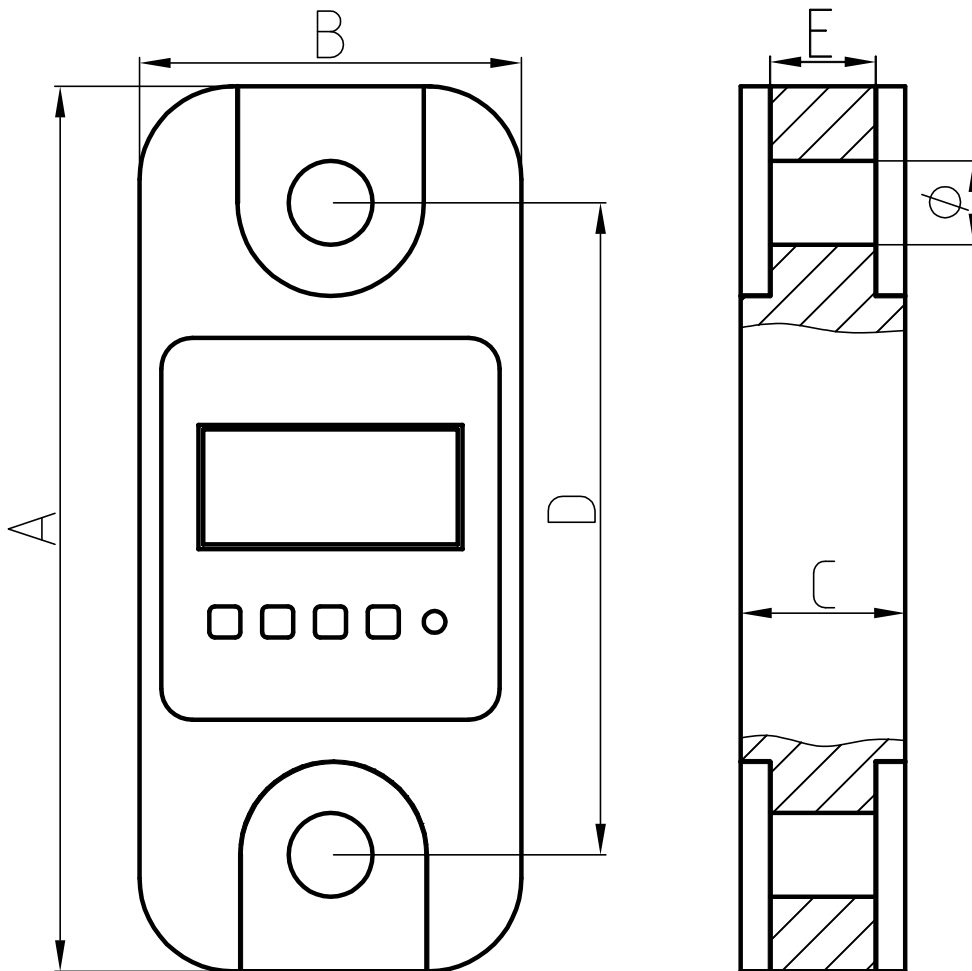
- 335mm
- 335mm
- 365mm
- 405mm
- 535mm
- 660mm
- 740mm
- 930mm
- 1230mm
- 1380mm

ACCREDITED:
ISO 9001 : 2008
QUALITY ON TIME...EVERYTIME !



masskot

DYNA LINK



	A(mm)	B(mm)	C(mm)	D(mm)	E(mm)	Φ(mm)
1t	245	112	37	190	25	20.5
2t	260	123	37	195	30	24
3t	260	123	37	195	30	24
5t	285	123	54	210	34	27
10t	320	120	54	230	54	41
20t	375	128	71	260	71	54
30t	420	138	79	280	79	60
50t	465	150	101	305	101	74
100t	570	190	129	366	129	99
150T	645	230	136	400	136	112
200t	720	265	180	440	180	135